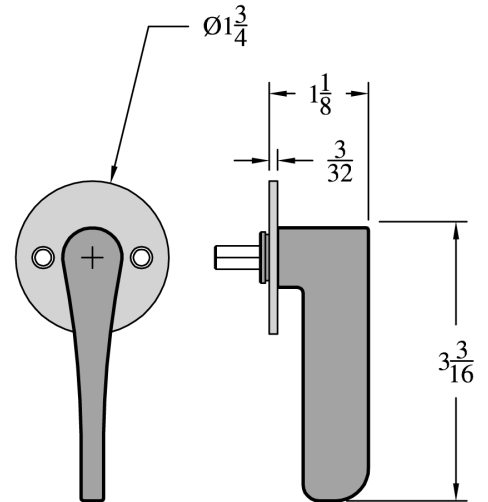


## 7200ADA Thumb Turn/Lever

- Surface mounted
- 5mm spindle on the diamond or modified to fit existing mortise lock
- For 1 3/4" thick doors unless specified



## 7200ER Emergency coin release

- Surface mounted
- 5mm spindle on the diamond or modified to fit existing mortise lock
- For 1 3/4" thick doors unless specified

